

FEDERAL SUPPLY CLASS  
5306

REV.  
C

AS3412™

RATIONALE

FIGURE 1 REDRAWN, Y14.5M FORMATS UPDATED, ADD EDGE DISTANCE EXCEPTION FOR HEAD MARKING, CORRECT TYPOS IN L DIM FOR AS3412-10, -37 AND -54, ADD AS3062 FOR THREAD RUNOUT, REVISE LEAD THREAD CHAMFER PER AS1132, UPDATE FPI AND SURFACE TEXTURE REFERENCES, ADD NEW NOTE FOR DISPOSITION OF EXISTING INVENTORY, GENERAL EDITORIAL UPDATES THROUGHOUT.

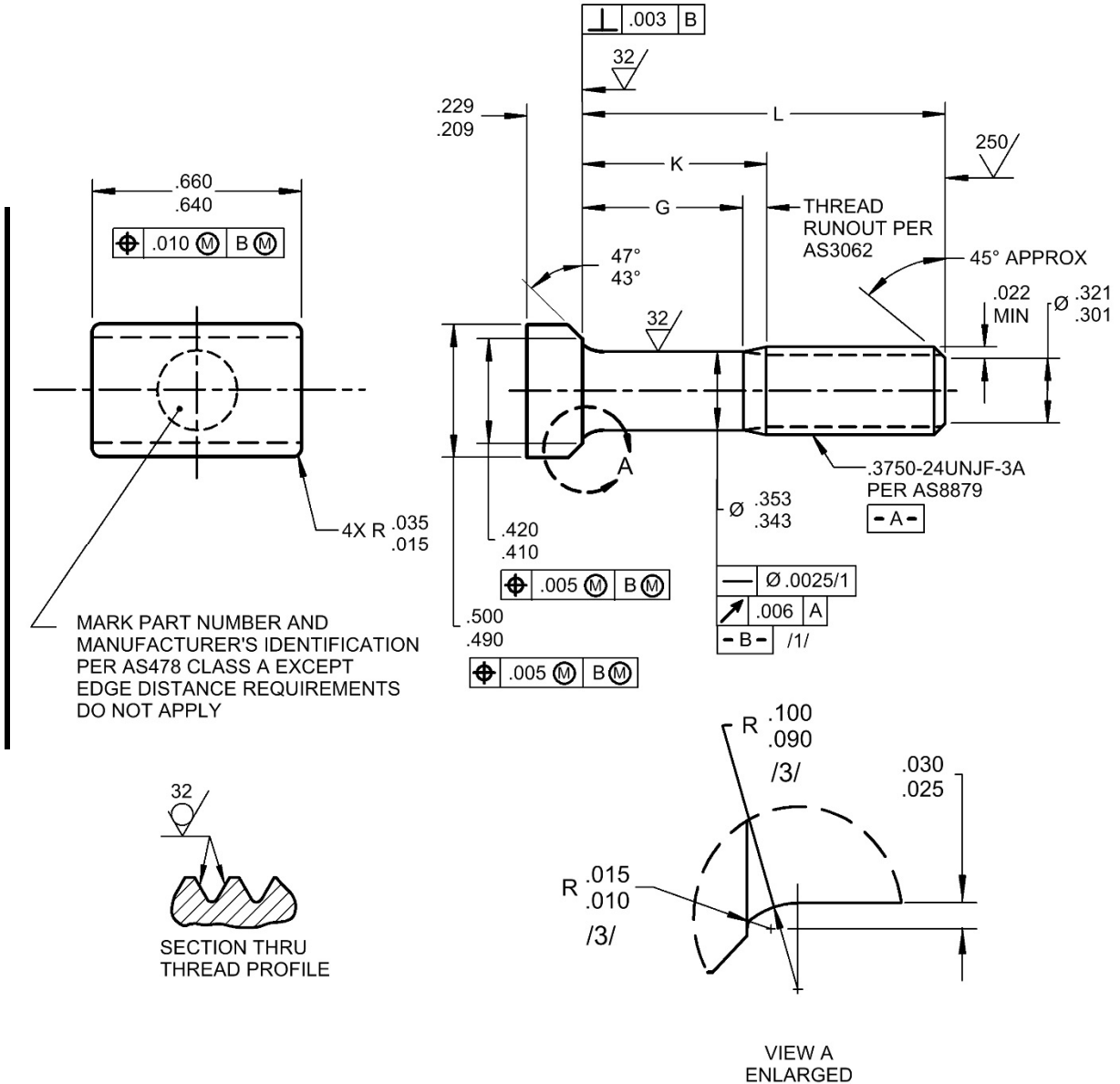
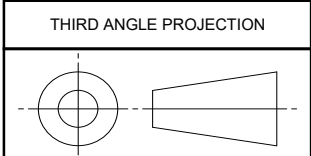


FIGURE 1 - BOLT

SAE values your input. To provide feedback on this Technical Report, please visit <http://standards.sae.org/AS3412C>



CUSTODIAN: E-25

PROCUREMENT SPECIFICATION: AS7467 /3/



AEROSPACE STANDARD

BOLT, TEE HEAD - AMS5662, CHAMFERED, .3750-24 UNJF-3A (STRESS RUPTURE RESISTANT)

AS3412™  
SHEET 1 OF 3

REV.  
C

SAE Technical Standards Board Rules provide that: "This report is published by SAE to advance the state of technical and engineering sciences. The use of this report is entirely voluntary, and its applicability and suitability for any particular use, including any patent infringement arising therefrom, is the sole responsibility of the user." SAE reviews each technical report at least every five years at which time it may be revised, reaffirmed, stabilized, or cancelled. SAE invites your written comments and suggestions.

ISSUED 1988-06 REAFFIRMED 2018-08 REVISED 2019-06